



Helping hands for your Forklift truck

High Visibility Fork Clamp T411

Harbour Clamp T411AH

Fork Clamp with Turnable Forks T411D

Slip-on arms T102/103/105/106



T411 · T411AH · T411D · T102 - T106

KAUP high quality Clamps · The advantages at a glance

Quick & Easy

Installation on the forklift truck

Version with independent sideshift: the guide rail for the sideshifter housings locates on the upper bar of the fork carriage and locks into the centre notch. The complete attachment is mounted onto this guide rail and secured by bolting the bottom mounting brackets (1) to the carriage. These are needle bearing guided bottom brackets (SMOOTHROLL) (2); attachments with capacities above 3,5 t feature tandem rollers (3). Once the hydraulic hose lines from the attachment to the truck are connected the attachment is ready for operation.

If required, KAUP quick release brackets (4) can be supplied. These allow the clamp to be mounted/dismounted quickly without any tool.

Excellent

High visibility

KAUP Clamps set high standards with regards to visibility. Optimized design ensures excellent visibility for the driver and allows quick and precise operation of the clamp guaranteeing high working performance and reducing accident risk significantly.

Simple

Handling with KAUP Clamps

KAUP Clamps are generally supplied with sideshift function which simplifies operation for the truck driver.

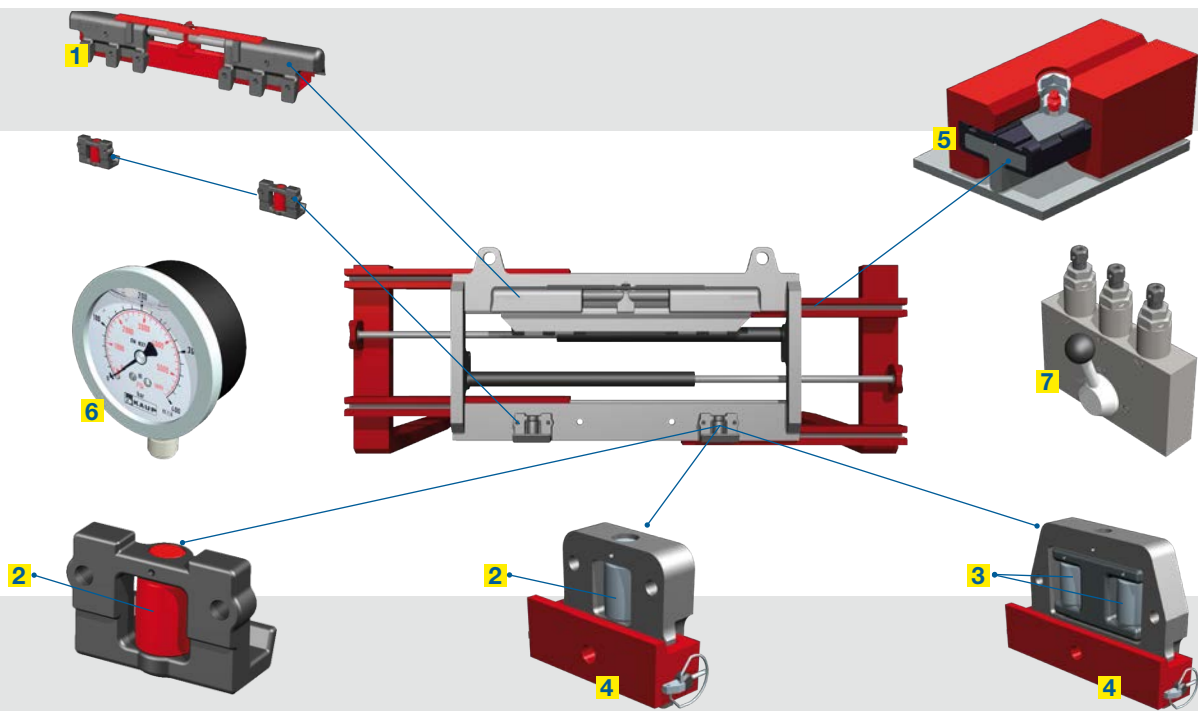
Especially independent sideshift system (1-4) permits sideshifting without restriction under safety regulations and allows utilization of the entire opening range for shifting loads sideways. All sideshift housings feature (SOFTSTOP), end-of-stroke-slow-down.

If required all KAUP Clamps can be fitted with valve block sideshift system which uses the residual stroke of the clamp cylinders to achieve lateral arm movement.

Strong

The KAUP Clamp profile (5)

A combination of T and C profiles is used on KAUP Clamps characterised by favourable weight with very compact dimensions providing high stability. An extremely robust sliding profile to improve gliding and to reduce wear and tear is found between the profiles.



Reliable

Top speed service

KAUP Clamps are synonymous to trouble free operation. As the components used have been proven thousands of times, servicing is simple and can be carried out without requiring any special skills. In conjunction with the KAUP modular built system the availability of replacements parts at reasonable prices is second to none. Approximately 95 percent of all wear and tear parts can be shipped ex stock within a maximum of 24 hours. Our efficient service network assures qualified service on short call-out to ensure that your attachment is back in operation within a short time.

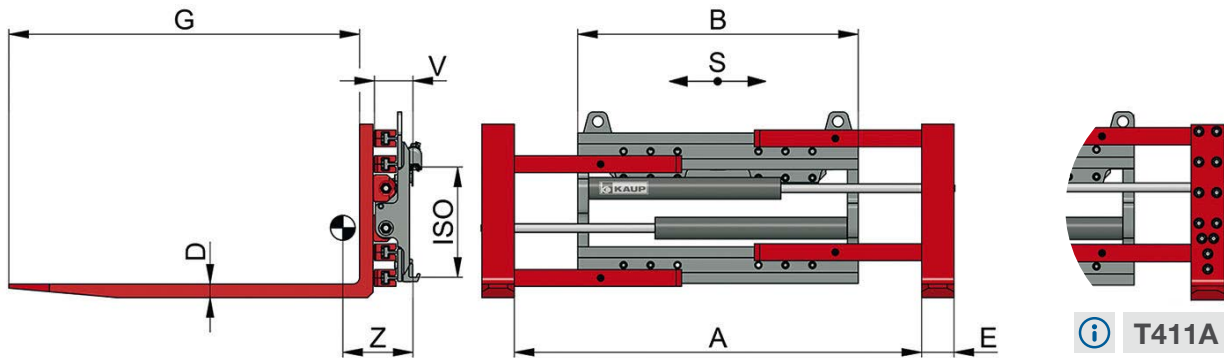
We also carry out complex repairs and maintenance work at our factory service centre. Annually approximately 800 attachments are repaired, maintained or generally refurbished at our service centre in Aschaffenburg.

Flexible

A large range of accessories

Pressure reduction valve and manometer gauge: KAUP Clamps are fitted for the function "open clamp" with a pre-set pressure reduction valve to prevent damage on the clamp arms by lateral pushing of the loads with arm outsides. In order to regulate the closing force when handling pressure sensitive loads a pressure reduction valve is fitted generally. If required three different force levels can be pre-set and controlled, either manually (7) or by solenoid valve. A manometer gauge (6) mounted in good view of the driver provides a ready check on the hydraulic operation pressure of the clamp.

Load backrest: KAUP Clamps feature mounting lugs as standard enabling a backrest to be fitted conveniently without drilling or any other modifications. Parts required for mounting, such as spacers and screws, are included in KAUP's supply.



Fork Clamp T411

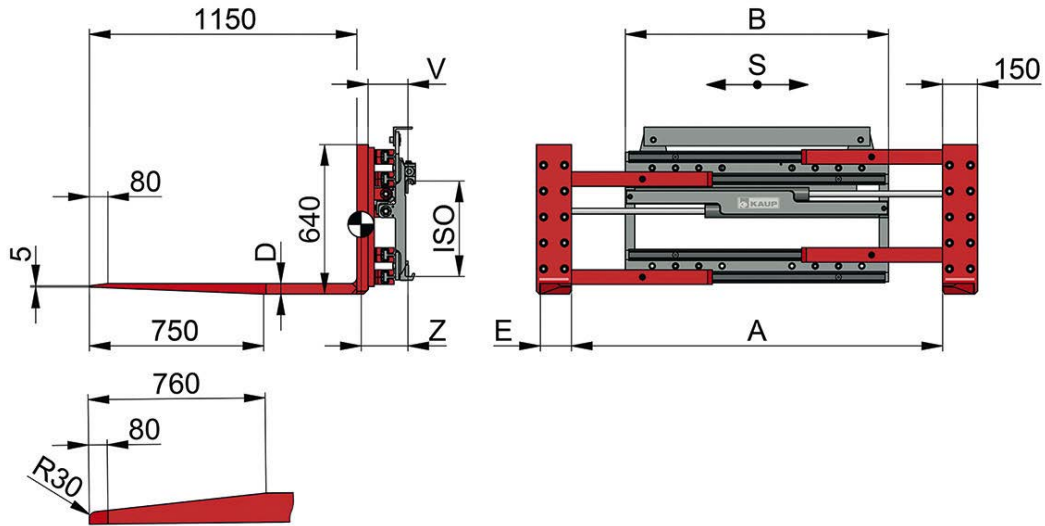
The Fork Clamp can be used for the transportation of palletised goods as well as for clamping purposes. Slip-on arms in different versions easily turn the Fork Clamp into a special clamp.

Model	Capacity of forks kg	Capacity as clamp kg	LCD mm	S mm	A mm	B mm	D mm	E mm	G mm	ISO cl.	V mm	CofG Z mm	Weight kg
1T 411	1.500	700	500	± 100	340-1.300	750	40	100	1.200	2	133	268	236
					340-1.520	970						251	258
					350-1.700	1.130						244	269
					330-1.730	1.200						241	273
1,5T 411	2.300	1.250	500	± 100	320-1.500	970	45	120	1.200	2	133	266	323
					40- 940	970						254	312
					330-1.680	1.130						253	335
					90-1.270	1.200						252	336
					310-1.710	1.200						270	339
1,5T 401	2.300	1.250	500	without	260-1.260	850	45	120	1.200	2	126	260	300
2T 411	2.800	2.000	500	± 100	280-1.380	970	50	120	1.200	2/3	143	262	384
					320-1.620	1.130						257	396
					70-1.120	1.130						259	391
					120-1.420	1.330						252	408
					320-1.820	1.330						250	412
2T 401	2.800	2.000	500	without	300-1.300	850	50	120	1.200	2/3	136	282	339
3T 411	3.600	2.500	500	± 100	260-1.560	1.130	50	150	1.200	3	152	255	510
					260-1.760	1.330						249	529
					130-1.630	1.460						245	539
					260-1.890	1.460						245	541
4T 411	4.150	2.900	500	± 100	260-1.560	1.130	50	150	1.200	3	162	245	572
					260-1.760	1.330						240	591
					130-1.630	1.460						237	603
					260-1.890	1.460						236	606
4,5T 411	5.000	3.500	500	± 100	230-1.480	1.200	60	150	1.200	3	188	253	689
					250-1.650	1.330						248	709
					120-1.520	1.460						245	725
					220-1.720	1.460						244	728
					260-1.890	1.550						241	744
4,5T 411.1	5.000	3.500	500	± 100	230-1.480	1.200	60	150	1.200	3	178	249	677
					250-1.650	1.330						245	695
					220-1.720	1.460						242	711
					260-1.890	1.550						239	724
4,8T 411	5.000	3.200	600	± 100	230-1.480	1.200	70	150	1.200	3	178	273	723
					250-1.650	1.330						269	741
					220-1.720	1.460						265	757
					260-1.890	1.550						262	770
5T 411	6.200	3.500	600	± 160	240-1.740	1.460	70	150	1.200	4	176	244	855
					280-1.910	1.550						242	868
					550-2.450(1)	1.550						234	933
					280-2.180	1.820						236	905
6T 411B	8.000	4.800	600	± 160	180-1.810	1.550	60	200	1.200	4	219	238	1.410
					140-2.040	1.860						229	1.499
					340-2.440	1.860						229	1.506
8T 411B	8.000/900*	6.500	600	VSS	310-2.510	2.200	70	200	1.200	4	258	232	1.820

*Capacity of forks 8.000 kg at LCD 900 mm.
Available without sideshift - model T401.

Model T411A with screw-on forks available upon request





Harbour Clamp T411AH - with bolt-on forks - fork length 1.150 mm

The Harbour Clamp is a special version of the Fork Clamp. The carrying part of the fork, in addition to the normal tapering to about 2/3 of the fork length, it is also tapered in the fork width. This makes it possible to also pick up transport goods stored tightly next to each other.

Model	Capacity of forks kg	Capacity as clamp kg	LCD mm	S* mm	A mm	B mm	D mm	E mm	ISO cl.	V mm	CofG Z mm	Weight kg
2,5T 411AH	3.000	1.600	500 ± 100	± 100	200-1.380	1.130	45	125	2/3	176	203	400
2,5T 411AH	3.000	1.600	500 ± 100	± 100	320-1.620	1.130	45	125	2/3	176	202	402

*Also available with valveblock sideshift dependent on opening range.
Also available without sideshift, model T401AH.

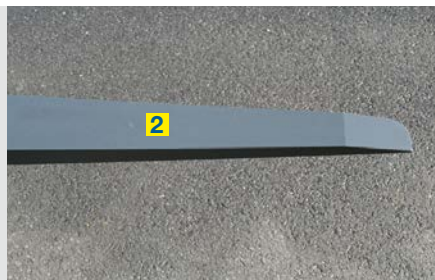
The KAUP Harbour Clamp ... safe and robust

The design of the Harbour Clamp components has been developed using the latest 3-D technology to meet the specific requirements. As a result the attachment characterises an optimal combination of rugged, resilient and well protected components for rough operation and, at the same time, excellent visibility due to the optimised design.

Bolt-on forks
simple exchange of forks

Forks
tapered fork width of the carrying part and tapered fork tips

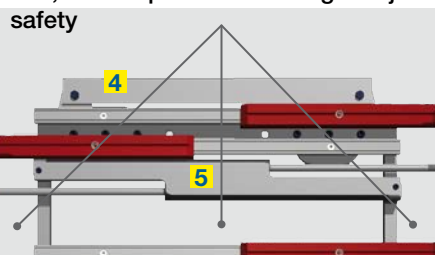
KAUP clamp profile
strong - warp resistant - rugged

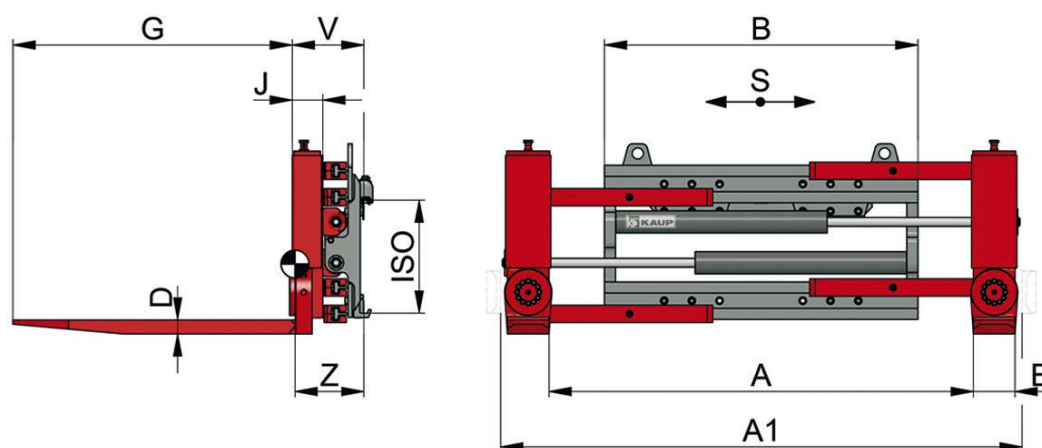


Impact and hose protection

Maximum visibility
fast, exact operation with highest job safety

Cylinder protection





Fork Clamp with Turnable Forks T411D - fork length max. 1.300 mm

The Fork Clamp with Turnable Forks is a very versatile attachment, as the carrying part of the forks is turnable by $\pm 90^\circ$. The forks can be swivelled manually or hydraulically (only available in ISO class 2). Therefore the Fork Clamp with Turnable Forks is suitable for fork operation (transport of palletised goods, grate boxes etc.) as well as for clamping bales, boxes and cartons. If the carrying parts are turned only 45° a prism is formed which allows easy transportation of drums or other cylindrical objects.

Model	Capacity of forks kg	Capacity as clamp kg	LCD mm	S mm	A mm	B mm	D mm	E mm	G mm	A1 mm	J mm	ISO cl.	V mm	CofG Z mm	Weight kg
1T 411D	1.500	700	500	± 100	310-1.490	970	40	100	1.200	580-1.760	110	2	248	245	331
1,5T 411D	2.000	1.250	500	± 100	110-1.110	970			1.200	400-1.400	110	2	248	267	343
					290-1.470	970			580-1.760			263	353		
					300-1.650	1.130			590-1.940			257	364		
					280-1.680	1.200			570-1.970			254	369		
2T 411D	2.800	2.000	500	± 100	220-1.420	1.040	50	150	1.200	570-1.770	110	2/3	258	305	450
					130-1.330	1.130			480-1.680			302	456		
					230-1.530	1.130			580-1.880			301	458		
					230-1.730	1.330			580-2.080			294	473		
3T 411D	3.600	2.500	500	± 100	225-1.525	1.130	60	150	1.200	605-1.905	130	3	288	287	573
					225-1.855	1.460			605-2.235			276	604		

Hydraulically turnable forks available upon request. Slip-on arms for the forks see page 66 and 67. Also available without sideshift, model T401D.

Handling goods on pallets

In the basic position the forks of this clamp are similar to other fork clamps and fork positioners with forks and can be used for handling palletized goods, grate boxes and other loads that can be taken up by forks.

Handling cylindrical goods

When the carrying parts of the forks are swivelled by 45° a prism is formed which allows easy handling of drums or other cylindrical goods.

Handling non-palletized goods

When the carrying parts of the forks are swivelled by 90° , the attachment can be used to clamp bales, boxes, cartons, etc.



Slip-on Arms

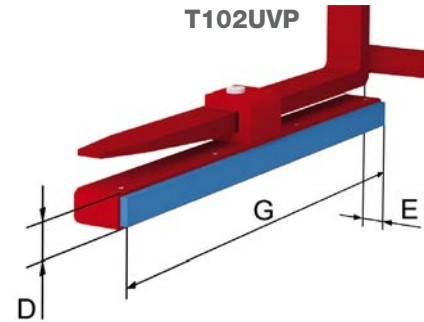
KAUP can supply suitable slip-on arms for nearly every KAUP Fork Clamp and nearly every material handling task regardless if for transportation of pallets or drums or for clamping different kinds of loads.

As slip-on arms are customised to your requirements and applications the following examples only show part of the extensive KAUP product range for slip-on arms.

Block Arms T102UVP

underslung version with vulcollan lining

Model	Length G mm	Reduction of opening		Weight per pair kg
		Height D mm	range per side E mm	
2T 102 UVP	1.200	70	70	124



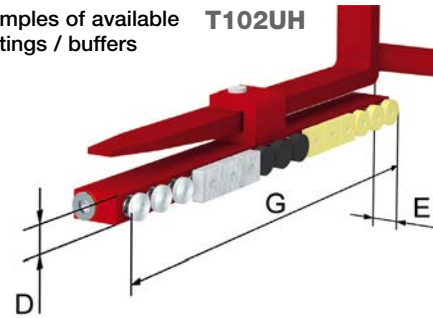
Block & Brick Arms T102UH

underslung version with mechano-hydraulic equilibration

Model	Length G* mm	Reduction of opening		Weight per pair kg
		Height D* mm	range per side E mm	
2T 102 UH	1.265	60/75/80	50	170

Examples of available coatings / buffers

T102UH



*Height D depends on coating / buffers: HG = Rubber coating Ø 75 mm, HV = Polyurethane coating Ø 75 mm, HV-Q = Square Polyurethane buffers 75 x 75 mm, HS = Steel disc Ø 65 mm, HS-Q = Square steel buffers 80 x 80 mm.

*Length G depends on the number of pistons (): available arm length 937 (11), 1.019 (12), 1.101 (13), 1.183 (14), 1.265 (15)

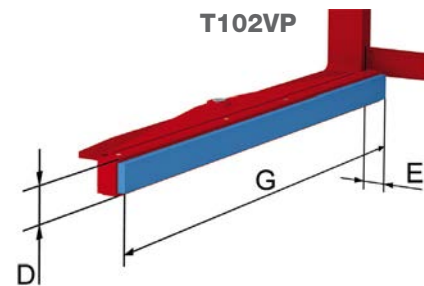
Block Arms T102VP

slip-on version with vulcollan linings

Model	Length G mm	Reduction of opening		Weight per pair kg
		Height D mm	range per side E mm	
1T 102 VP	1.200	70	105	80
2T 102 VP	1.200	70	110	80
3T 102 VP	1.200	70	110	80
1T 102 VP ¹⁾	1.200	150	105	108
2T 102 VP ¹⁾	1.200	150	110	108
3T 102 VP ¹⁾	1.200	150	110	108

¹⁾ Double high arms

T102VP

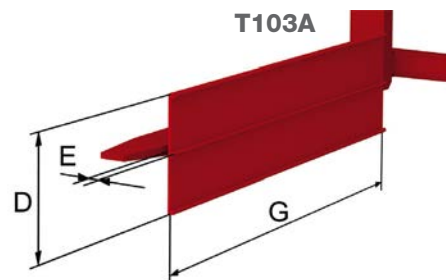


Bale Arms T103A

slip-on version

Model	Length G mm	Reduction of opening		Weight per pair kg
		Height D mm	range per side E mm	
1T 103 A	700	200	25	36
2T 103 A	800	400	25	62
3T 103 A	800	400	25	64

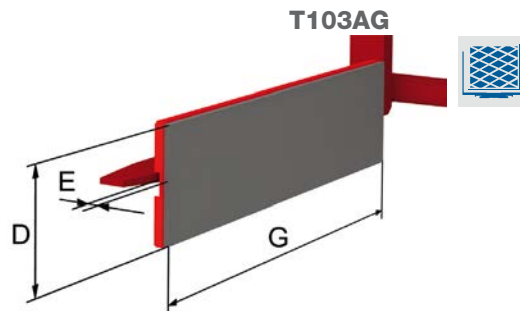
T103A



Bale Arms T103AG

gripping nap strap coated, slip-on version

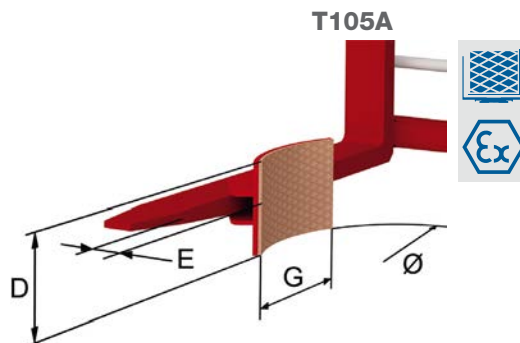
Model	Length G mm	Height D mm	Reduction of opening		Weight per pair kg
			range per side E mm		
1T 103 AG	700	200	25		38
2T 103 AG	800	400	25		64
3T 103 AG	800	400	25		66



Drum Arms T105A

slip-on version, for handling of cylindrical steel drums* - rubber coated

Model	Number of drums	for Ø mm	Length G mm	Height D mm	Arm-overhang per side E mm	Weight per pair kg
1T 105-1 A	1	560-630	300	200	80	26
2T 105-1 A	1	560-630	300	200	75	26

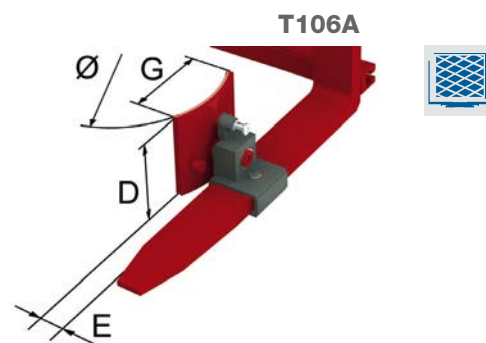


*special designs available for transportation of plastic drums (upon request).
Drum arms for other diameters available upon request.

Rotating Drum / Roll Arms T106A

slip-on version - mechanically tiltable

Model	for Ø mm	Length G mm	Height D mm	Arm-overhang per side E mm	Weight per pair kg
2T 106-A	560 - 630	400	210	120	44
4T 106-A	560 - 630	400	210	120	48

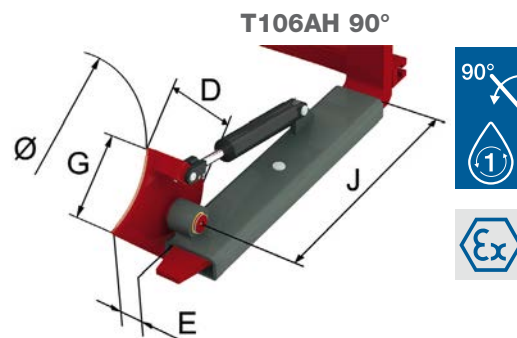


Rotating roll arms for other diameters available upon request.

Rotating Drum / Roll Arms T106AH 90°

slip-on version - hydraulically tiltable up to 90°

Model	No. of hydr. arms	for Ø mm	Length G mm	Height D mm	E ¹⁾ mm	J ²⁾ mm	Weight per pair kg
2T106AH90	1	560-630	400	250	120	700	102
2T106A-2H90	2	560-630	400	250	120	700	132
4T106A-2H90	2	560-630	400	250	120	700	140

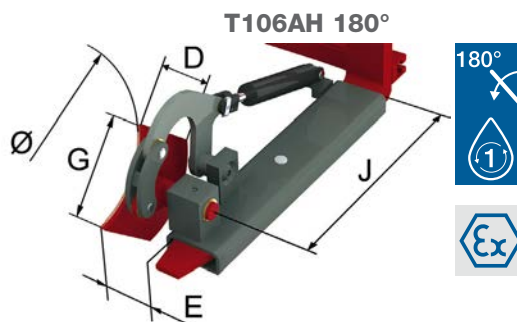


1) Arm-overhang per side. 2) Minimum distance to fork shank.

Rotating Drum / Roll Arms T106AH 180°

slip-on version - hydraulically tiltable up to 180°

Model	No. of hydr. arms	for Ø mm	Length G mm	Height D mm	E ¹⁾ mm	J ²⁾ mm	Weight per pair kg
2T106AH180	1	560-630	400	250	180	800	120
2T106A-2H180	2	560-630	400	250	180	800	148
4T106A-2H180	2	560-630	400	250	180	800	158



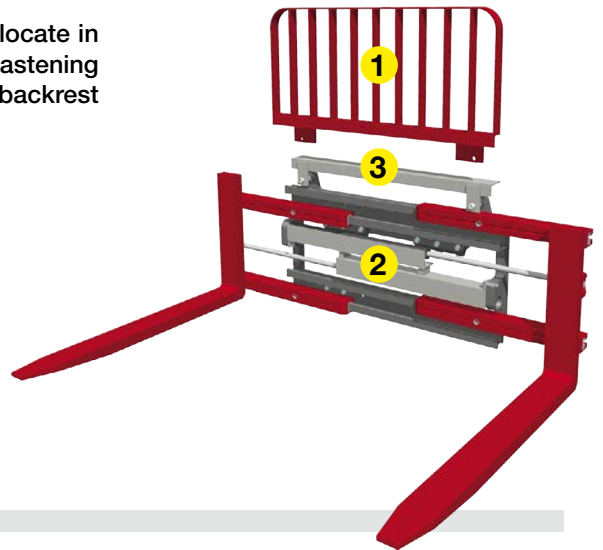
1) Arm-overhang per side. 2) Minimum distance to fork shank.

Accessories for Clamps

Options for retrofitting or upgrading for every transportation task

Load Backrest T479

Load backrests (1) can be easily retrofitted on existing clamps. They locate in the top mounting rings provided on the clamp body as standard. The fastening and spacer elements are inserted through the mounting ring and the backrest is secured with the two M16 bolts provided.



Heavy Duty

KAUP Clamps can be individually fitted for the most demanding tasks. A cylinder protection (2), cylinder and piston rod protection or sideshift cylinder protection, respectively hose protection (3), depending on the application of the clamp can be fitted to all models in order to reduce damages and to maximise the availability of the attachment.

High Visibility Fork Clamp T411 / T411B



Harbour Clamp T411AH · Fork Clamp with Turnable Forks T411D



Slip-on arms T102 · T103 · T105 · T106



KAUP attachments correspond to the requirements of the valid EC regulations regarding quality, safety and technical documentation. All technical data are subject to alteration.

KAUP is certified acc. to DIN EN ISO 9001



Helping hands for your Forklift truck

KAUP GmbH & Co. KG
 Braunstrasse 17 · D - 63741 Aschaffenburg
 ☎ +49 6021 865-0 · 📠 +49 6021 865-213
 E-Mail: kaup@kaup.de · www.kaup.de